

Spindle Servo Drive CN3		
Function	Name	Pin
A Phase Encoder Feedback Output	OA+	9
	OA-	18
B Phase Encoder Feedback Output	OB+	17
	OB-	8
Z Phase Encoder Feedback Output	OZ+	7
	OZ-	16
	0V	25
	5V	26
	Shield GND	E
		27

Spindle Servo Drive CN1 all to 7177		
Function	Name	Pin
Alarm Ready Relay Output	ERA	1
C Axis Ready Relay Output	MIC	2
Relay Output	M1B	3
Speed in Position Digital Output	O3P	4
Zero Stop in Position Digital Output	O2N	5
Servo Ready Output Digital Output	OON	6
Digital Input Correct Stop	I2	7
Digital Input Rigid Tapping	I3	8
Digital Input Position Mode	I4	9
Digital Input Scram/Zero Speed	I5	10
Digital Input Swing	I6	11
Connect +24v = NPN or COM = PNP	SEL	12
Analog +/- 10v Input	A0	14
Analog 0-10V Input	A1	15
Alarm Relay Output	ERC	18
Relay Output	M1A	17
Speed in Position	O3N	20
Correct Stop in Position	O1N	21
Digital Input CW	I0	22
Digital Input CCW	I1	23
Digital Input Jog	I8	24
Digital Input 2nd Correct Stop	I9	25
Digital Input Fault Reset	I7	26
Analog Ground	GND	29
12v Analog Power	12V	30
Correct Stop in Position Relay Output	MOC	31
Relay Output	M0A	32
Relay Output	M0B	33
Zero Stop in Position Digital Output	O2P	34
Correct Stop in Postn Digital Output	O1P	35
Servo Ready Digital Output	OOP	36
From 24v power supply	Z	37
From 24v power supply	COM	40
Shield Gnd	E	45

4 Axis MPG Hand Wheel		
Function	Name	Pin
5v+ enc power	Sv+	18
0v enc power	0v	19
A+ Encoder	A+	20
B+ Encoder	B+	21
A- Encoder	A-	22
B- Encoder	B-	23
X Axis Select	X	24
Y Axis Select	Y	25
Z Axis Select	Z	26
A Axis Select	A	27
X1 Step Select	Gr	28
X10 Step Select	Bk/Gr	29
X100 Step Select	O	30
24v ps 0v	Bk/W	31
Control Switch	Bk/Or	32
Estop In	Bl	33
Estop Out	Bk/Bl	34

X Axis SN04-P2 Limit Sw		
Function	Name	Pin
PNP-NC	24v+	X-BK
Com	0v	X-BL
24v	24v	X-OR

X Axis SN04-P2 Home Sw		
Function	Name	Pin
PNP-NC	24v+	Y-BK
Com	0v	Y-BL
24v	24v	Y-OR

Y Axis SN04-P2 Limit Sw		
Function	Name	Pin
PNP-NC	24v+	Z-BK
Com	0v	Z-BL
24v	24v	Z-OR

Y Axis SN04-P2 Home Sw		
Function	Name	Pin
PNP-NC	24v+	X-BK
Com	0v	X-BL
24v	24v	X-OR

Z Axis SN04-P2 Limit Sw		
Function	Name	Pin
PNP-NC	24v+	Y-BK
Com	0v	Y-BL
24v	24v	Y-OR

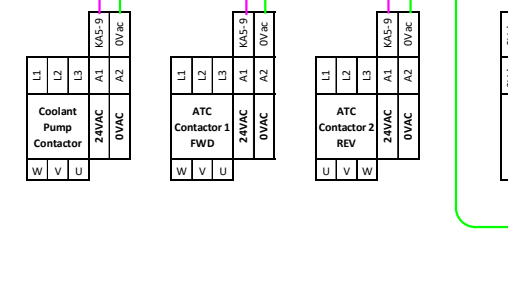
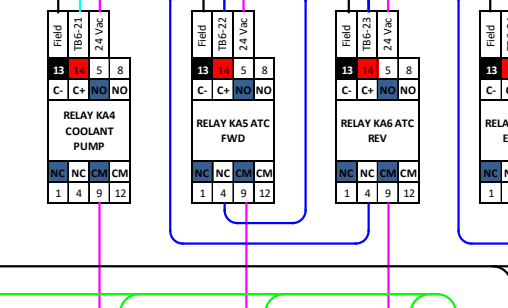
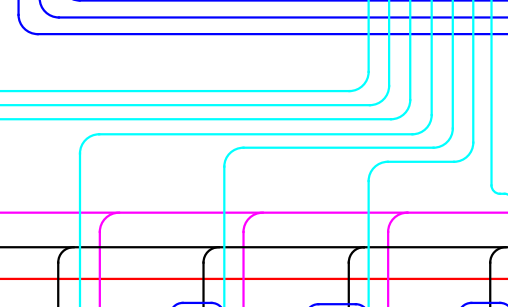
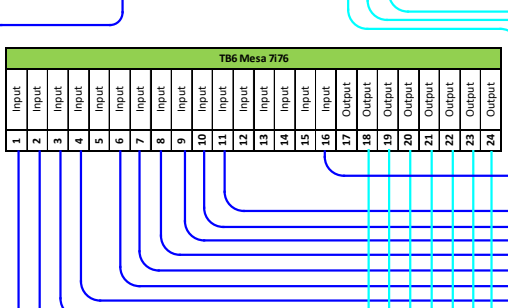
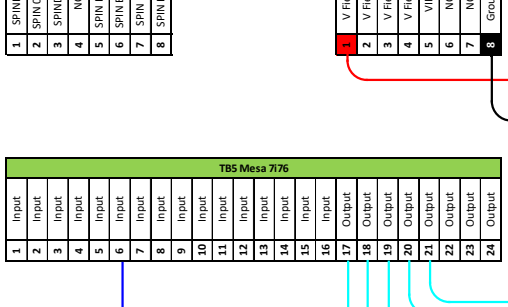
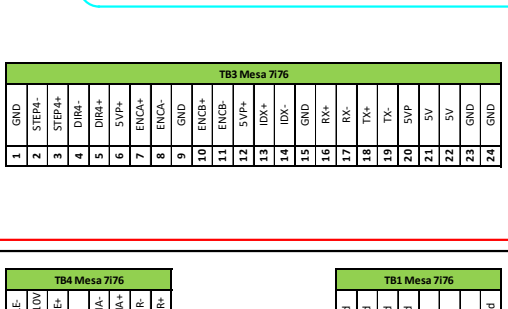
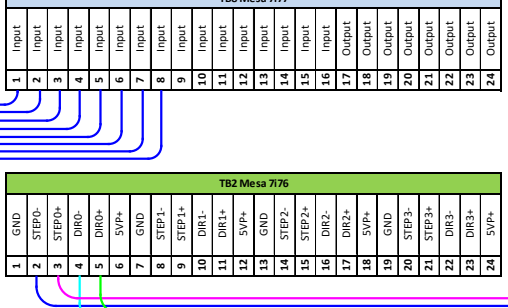
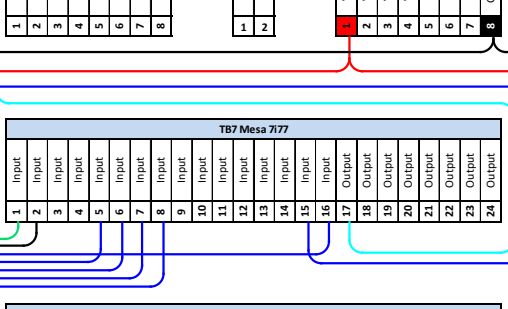
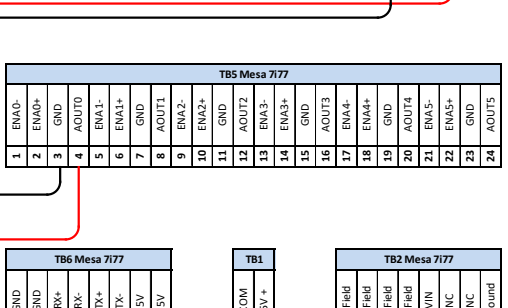
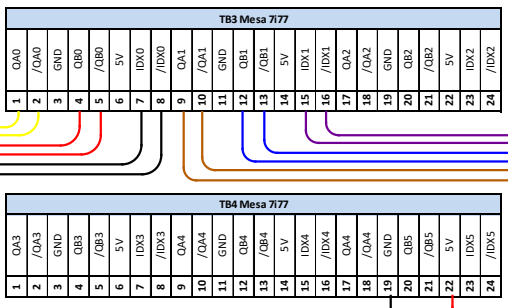
Z Axis SN04-P2 Home Sw		
Function	Name	Pin
PNP-NC	24v+	Z-BK
Com	0v	Z-BL
24v	24v	Z-OR

Touch Probe		
Function	Name	Pin
24v	TP-1	TS-1
24v	TP-2	TS-2

Tool Setter		
Function	Name	Pin
24v	TS-1	TS-1
24v	TS-2	TS-2

E-Stop		
Function	Name	Pin
24v	ES-1	ES-1
24v	ES-2	ES-2

24v Power Supply		
Function	Name	Pin
24v	V+	24v+
0v	V-	0v-
10A	V+	24v+
0v	V-	0v-



Typical Connections for Axis Servo Drive CN3			
Pin	Name	Function	
TB2-2	1	APULSE+	Reference pulse input
TB2-3	2	APULSE-	Reference pulse input
TB2-4	3	ASIGN+	Reference signal input
TB2-5	4	ASIGN-	Reference signal input
5	AV-REF	Speed reference input	
6	GND	Signal Ground	
TB1-1	7	OUT1+	Output 1, can reallocate (Factory setting: ALM)
TB5-16	8	OUT1-	Output 1, can reallocate (Factory setting: /COIN)
9	OUT2+	Output 2, can reallocate (Factory setting: /CON)	
10	OUT2-	Output 2, can reallocate (Factory setting: /CON)	
11	OUT3+	Output 3, can reallocate (Factory setting: /TCON)	
12	OUT3-	Output 3, can reallocate (Factory setting: /TCON)	
13	DICOM	Common port of input signal	
TB5-21	14	IN1	Input 1, can reallocate (Factory setting: /S-ON)
15	IN2	Input 2, can reallocate (Factory setting: /P-CON)	
16	IN3	Input 3, can reallocate (Factory setting: POT)	
17	IN4	Input 4, can reallocate (Factory setting: NOT)	
18	AT-REF	Torque reference input	
TB3-9	19	APAO+	Phase A of PG frequency dividing output
TB3-10	20	APAO-	Phase A of PG frequency dividing output
TB3-12	21	APBO+	Phase B of PG frequency dividing output
TB3-13	22	APBO-	Phase B of PG frequency dividing output
TB3-15	23	APCO+	Phase C of PG frequency dividing output
TB3-16	24	APCO-	Phase C of PG frequency dividing output
25	GND	Signal Ground	

5v Power to 7192m, 7192m will power 7176 & 7177

